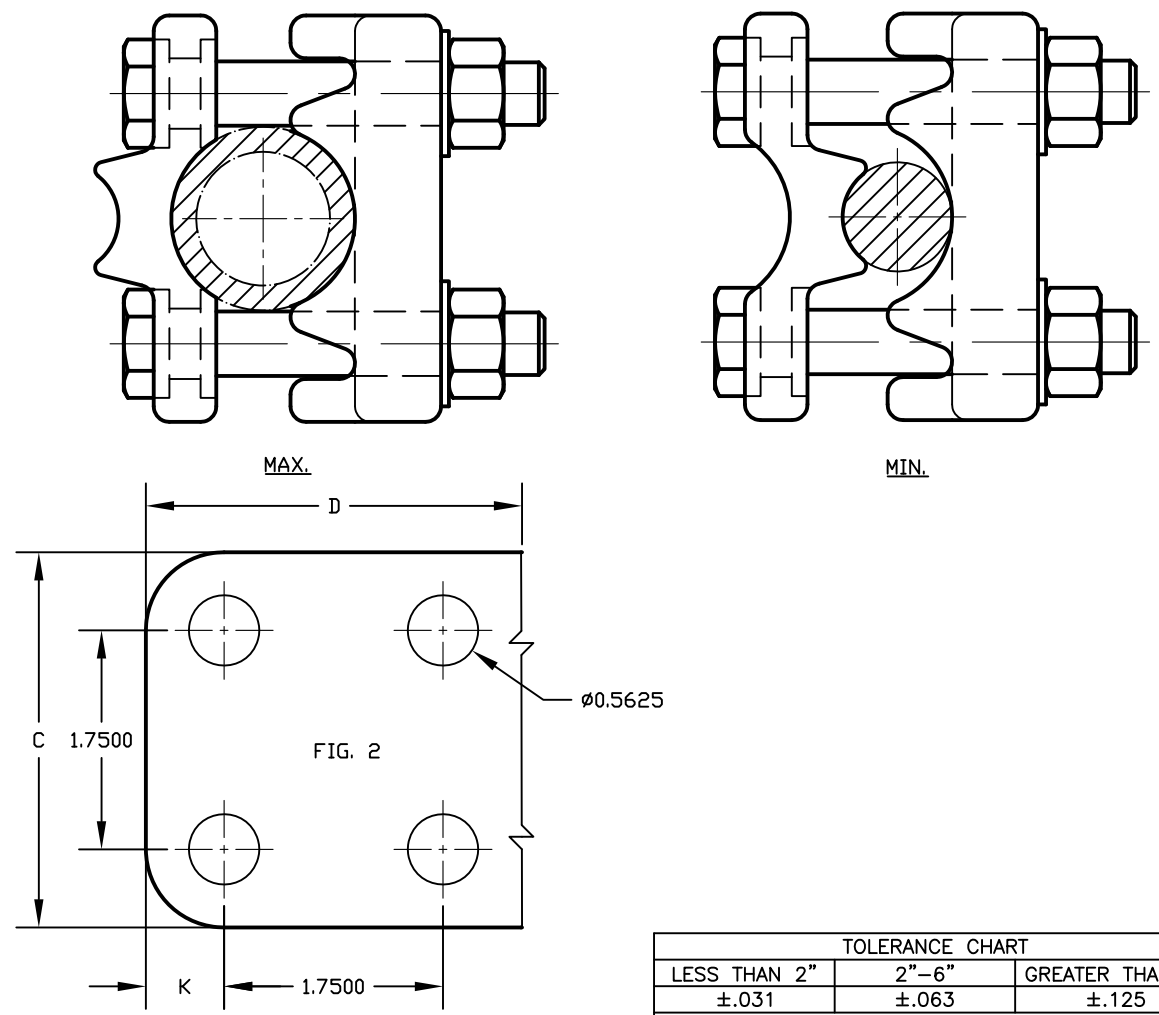
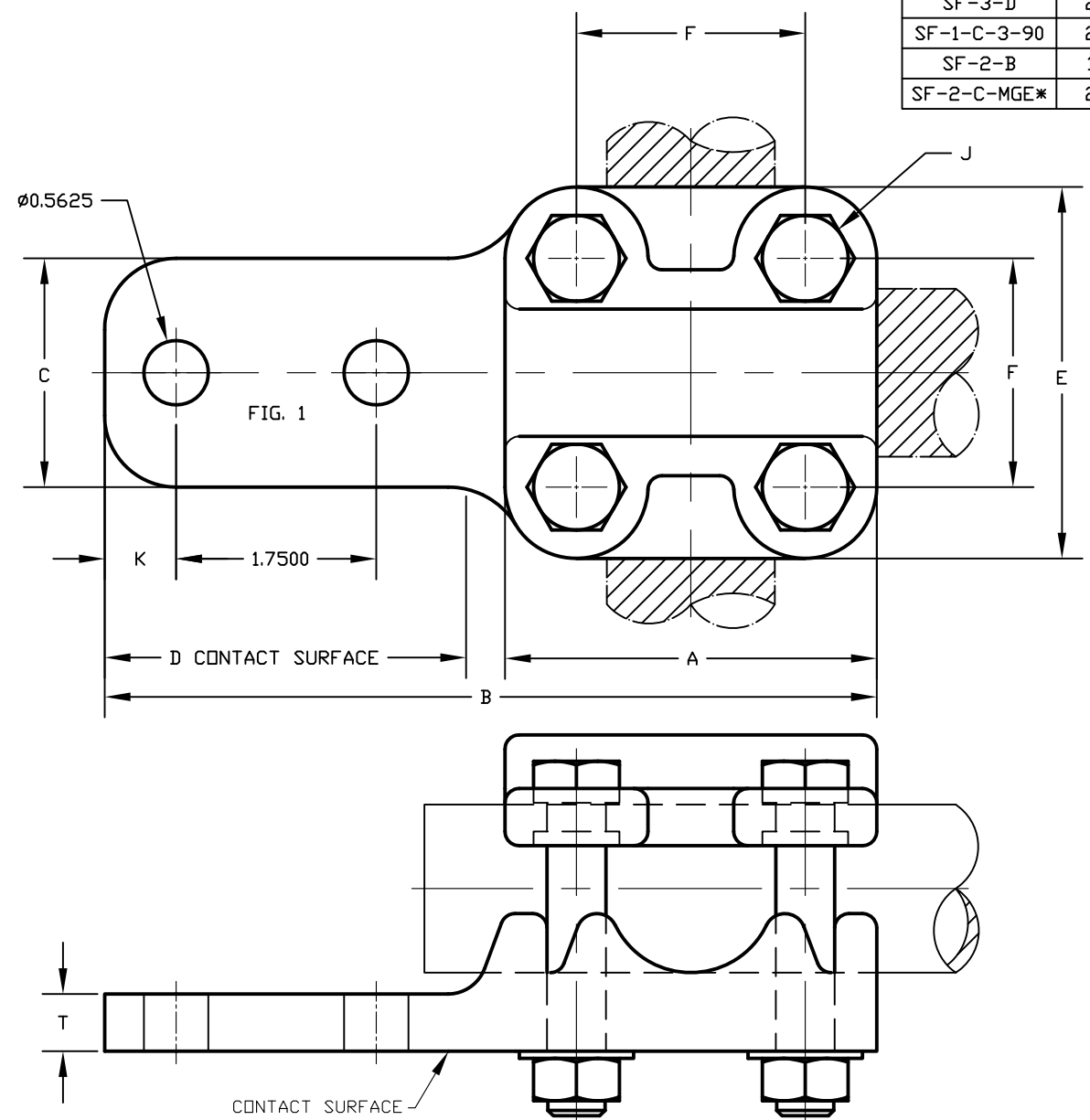


CATALOG NUMBER	FIG NO.	CONDUCTOR RANGE		DIMENSIONS IN INCHES								
		CABLE	I.P.S.	A	B	C	D	E	F	J	K	T
SF-1-B-3	1	#2 SOL. - 800 MCM	1/4 - 3/4	2 1/4	5 3/4	1 1/2	3 1/4	2 1/4	1 1/2	3/8	5/8	3/8
SF-1-B2-3 AEP #BM-5012	1	#2 SOL. - 800 MCM	1/4 - 3/4	2 5/16	5 3/4	2	3 1/4	2 5/16	1 1/2	3/8	5/8	3/8
SF-1-C-3	2	#2 SOL. - 800 MCM	1/4 - 3/4	2 5/16	5 3/4	3	3 1/4	2 5/16	1 1/2	3/8	5/8	3/8
SF-1-B	1	#6 SOL. - 850 MCM	1/4 - 3/4	3	6 5/16	1 1/2	3 1/16	3	1 3/4	1/2	5/8	3/8
SF-1-B2	1	#6 SOL. - 850 MCM	1/4 - 3/4	3	6 5/16	2	3 1/16	3	1 3/4	1/2	5/8	3/8
SF-1-C	2	#6 SOL. - 850 MCM	1/4 - 3/4	3	6 5/16	3	3 1/16	3	1 3/4	1/2	5/8	5/16
SF-2-B2	1	4/0 STR - 1500 MCM	1/4 - 1	3 1/4	6 3/4	2	3 1/4	3 1/4	2	1/2	5/8	1/2
SF-2-C	2	4/0 STR - 1500 MCM	1/4 - 1	3 1/4	6 3/4	3	3 1/4	3	2	1/2	5/8	1/2
SF-2-D	2	4/0 STR - 1500 MCM	1/4 - 1	3 1/4	8	4	4 1/4	3 1/4	2	1/2	1 1/8	7/16
SF-3-B2	1	850. - 2000 MCM	3/4 - 1 1/2	4	8 5/16	2	3 1/4	4	2 3/4	1/2	5/8	9/16
SF-3-C	2	850. - 2000 MCM	3/4 - 1 1/2	4	8 5/16	3	3 1/4	4	2 3/4	1/2	5/8	9/16
SF-3-D	2	850. - 2000 MCM	3/4 - 1 1/2	4	9 5/16	4	4 1/4	4	2 3/4	1/2	1 1/8	7/16
SF-1-C-3-90	2	#2 SOL. - 800 MCM	1/4 - 3/4	2 5/16	-	3	3 1/4	2 5/16	1 1/2	3/8	5/8	3/8
SF-2-B	1	4/0 STR - 1500 MCM	1/4 - 1	3 1/4	6 5/8	1 1/2	3 1/4	2	2	1/2	5/8	1/2
SF-2-C-MGE*	2	#2 SOL. - 800 MCM	3/8 - 3/4	2 15/16	6 5/16	3	3 1/4	2 15/16	1 7/8	1/2	5/8	1/2



TOLERANCE CHART		
LESS THAN 2"	2"-6"	GREATER THAN 6"
±.031	±.063	±.125
ANGULAR TOLERANCE ±1°		

- NOTES:
- CAP CAN BE ROTATED IN EITHER DIRECTION TO ACCEPT CABLE.
 - * : CAP HAS CROSS GROOVES TO MEET CONDUCTOR RANGE.
 - TO OBTAIN SILICON BRONZE HARDWARE ADD SUFFIX *ED*. EX) SF-3-D-ED

67818	12/21/2016	RK	HG
EC #	DATE	CHG BY	RESP ENG
DESC OF DWG: REDRAW IN AUTOCAD			
REASON (S) FOR CHANGE: --			
DISPOSITION OF MAT'L: --			

ANDERSON®

HUBBELL® POWER SYSTEMS

TITLE: UNIVERSAL SWITCH CONNECTOR CABLE OR IPS TO FLAT TONGUE

SIZE: C	DWG NO.: C-4129	CAT / PART / ASSY NO.: SEE TAB	REV: 13
DO NOT SCALE THIS DRAWING		DRN BY: WDS	DATE: 02/01/55
SHEET 1 OF 1			